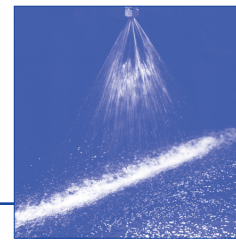




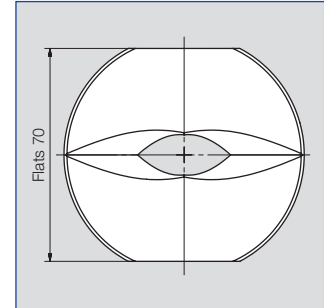
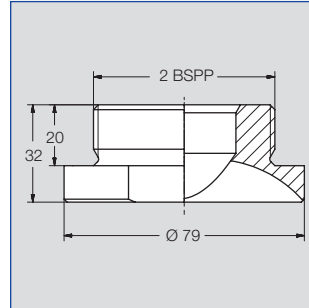
Flat fan nozzles



Series 625



Parabolic distribution of liquid. Headers, equipped with these nozzles, show a highly uniform total distribution of liquids, even at different installation heights and centers.

Applications:
Cleaning, pickling, surface treatment, rinsing.



Spray angle 	Ordering no.		A Ø [mm]	E Ø [mm]	V̇ [l/min]							Spray width B  at p=2 bar	
	Type	Mat. no.			p [bar]							H = 250 mm	H = 500 mm
		5E			0.5	1.0	2.0	3.0	5.0	7.0	10.0		
20°	625.301	○	16.0	13.2	90	127	180	220	285	337	402	115	210
	625.321	○	17.0	14.2	100	141	200	245	316	374	447	115	210
	625.361	○	19.0	16.3	125	177	250	306	395	468	559	115	210
	625.421	○	22.5	19.2	183	258	365	447	577	683	816	115	210
60°	625.451	○	24.5	20.9	213	301	425	521	672	795	950	115	210
	625.404	○	21.0	13.2	158	223	315	386	498	589	704	340	640
120°	625.454	○	24.5	16.2	213	301	425	521	672	795	950	340	640
	625.367	○	19.0	15.0	125	177	250	306	395	468	559	800	1460
	625.407	○	21.0	18.0	158	223	315	386	498	589	704	800	1460
	625.427	○	22.5	18.0	183	258	365	447	577	683	816	800	1460

E = Narrowest free cross section · A = Equivalent bore diameter
Incl. gasket 062.540.72.00 (Material: EWP 210)

Example of ordering:	Type	+	Material no.	=	Ordering no.
	625.301	+	5E	=	625.301.5E